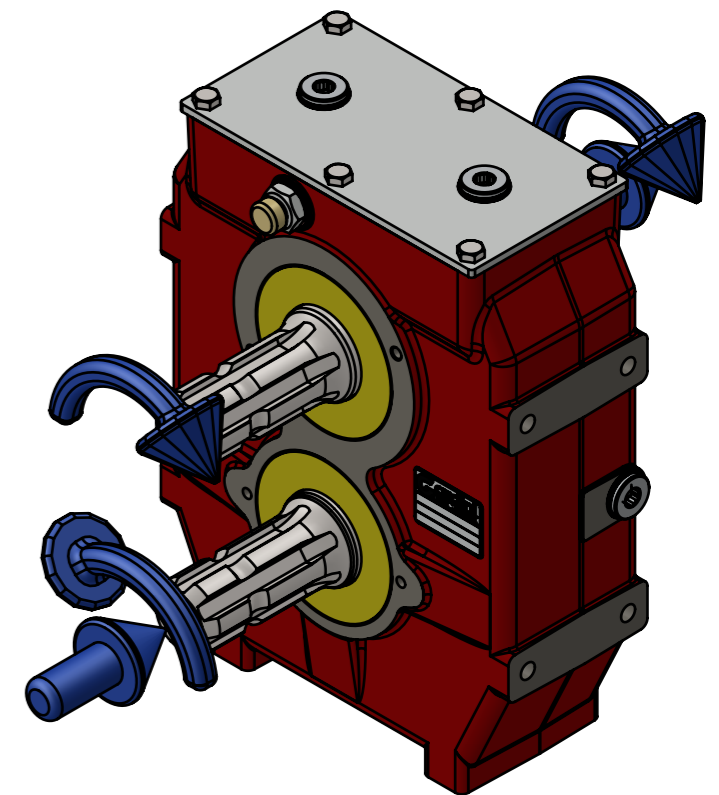
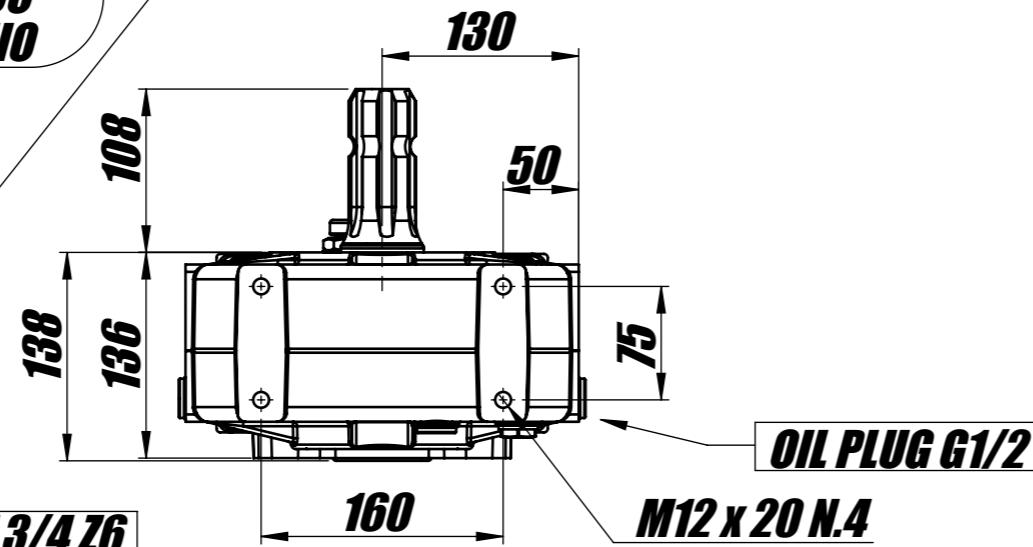
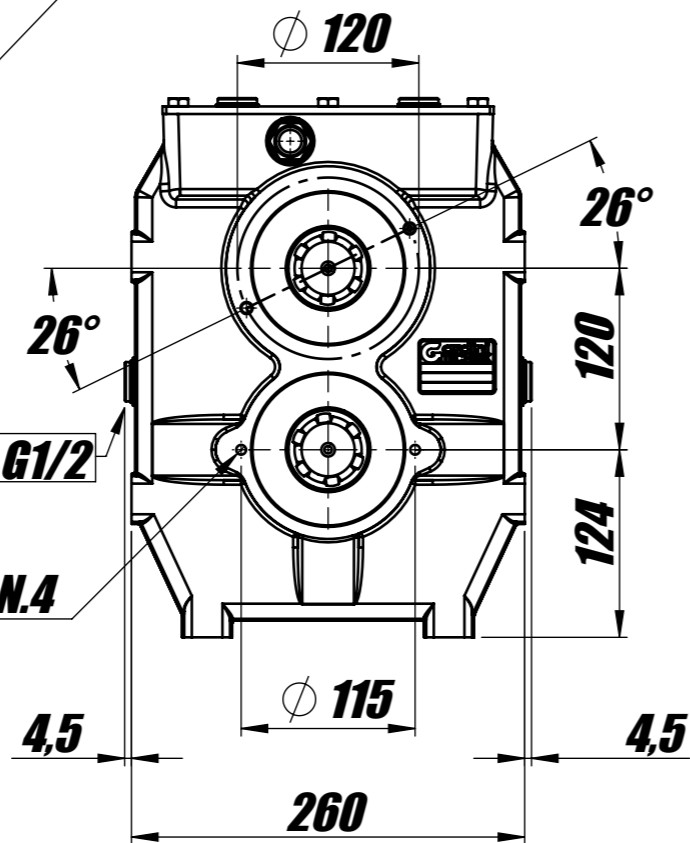
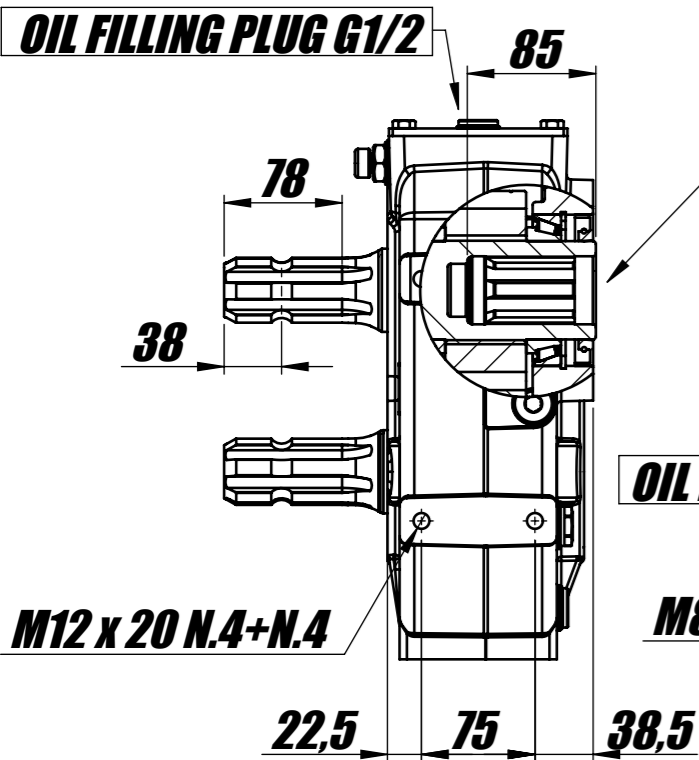


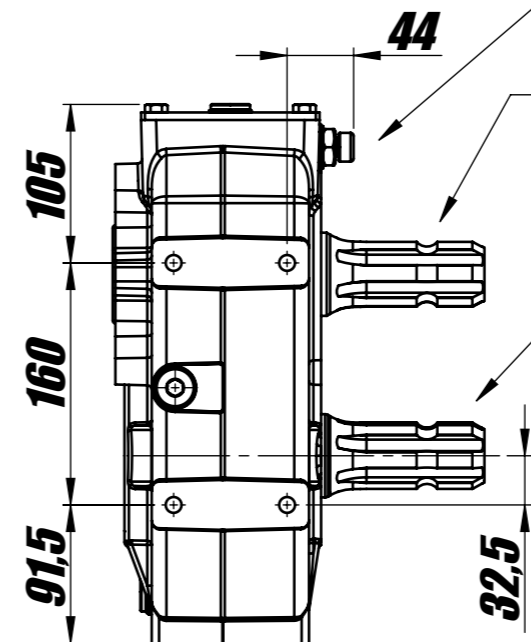
IN FASE DI MONTAGGIO VERIFICARE CHE ALBERO CAVO ABBA POCO GIOCO QUANDO INSERISCO ALBERO MASCHIO



**OUTPUT HOLLOW SHAFT DIN 9611 1" 3/4 Z6
VENIG SPIEL**

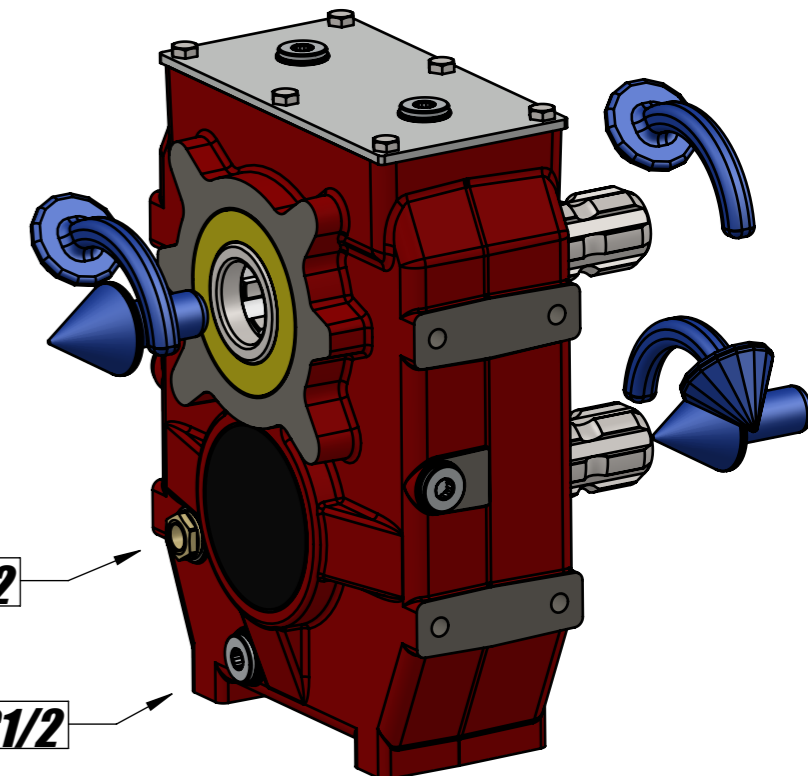


BREATHER PLUG G1/2



PROFILE SHAFT DIN 9611 1" 3/4 Z6

INPUT SHAFT DIN 9611 1" 3/4 Z6



OIL LEVEL PLUG G1/2

OIL DRAIN PLUG G1/2

**ratio transmission
1:1,00**

**input RPM
1000**

**input rotation
CCW counterCW**

**input power HP
180**

**input power KW
131**

**input torque N.M
1260**

**output torque N.M
1260**



Recommended Oil Type Transmis. SYN FE 75W-90 Total

internal code M61#8

description code M61-1,00JJCAVO-VS(M61#8)

group M61

application

date

designer

**weight KG
35**

oil quantity

customer code

customer

**scale
1:5**

A3